

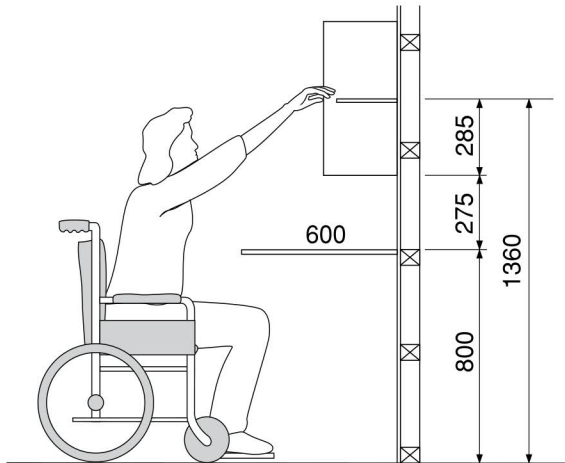
# Adjusta: hanging options

## Suggested Height for Worktops & Units

For worktop height  
Channel (7 positions) hole

1. 900mm
2. 875mm
3. 850mm
4. 825mm
5. 800mm
6. 775mm
7. 750mm

Heights shown include 30mm worktop. Please note that diagram shows suggested heights only. When positioning units please refer to individual requirements.

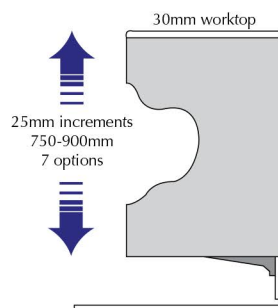


## Position of Channels for Base Unit

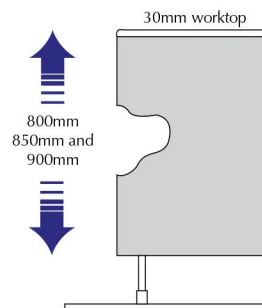
The number and position of channels, for locating the base unit hanging brackets, are as shown. Please order separately.

Base Unit Code	636	646	656, MD, MDP	666, MD, MDP	6106EF56
Length	300	300	500	600	1125
Quantity of Channels	1	2	2	2	3
Position of Channels	Centre of unit	60mm in from edges of unit	60mm in from edges of unit	60mm in from edges of unit	Centre of unit (1 no) 60mm in from edges of unit (1 no) 185mm in from corner wall (1 no)

### Base Unit on Adjusta Hanging System option



### Base Units on Adjusta Chrome Leg option



### Adjusta Wall Units

